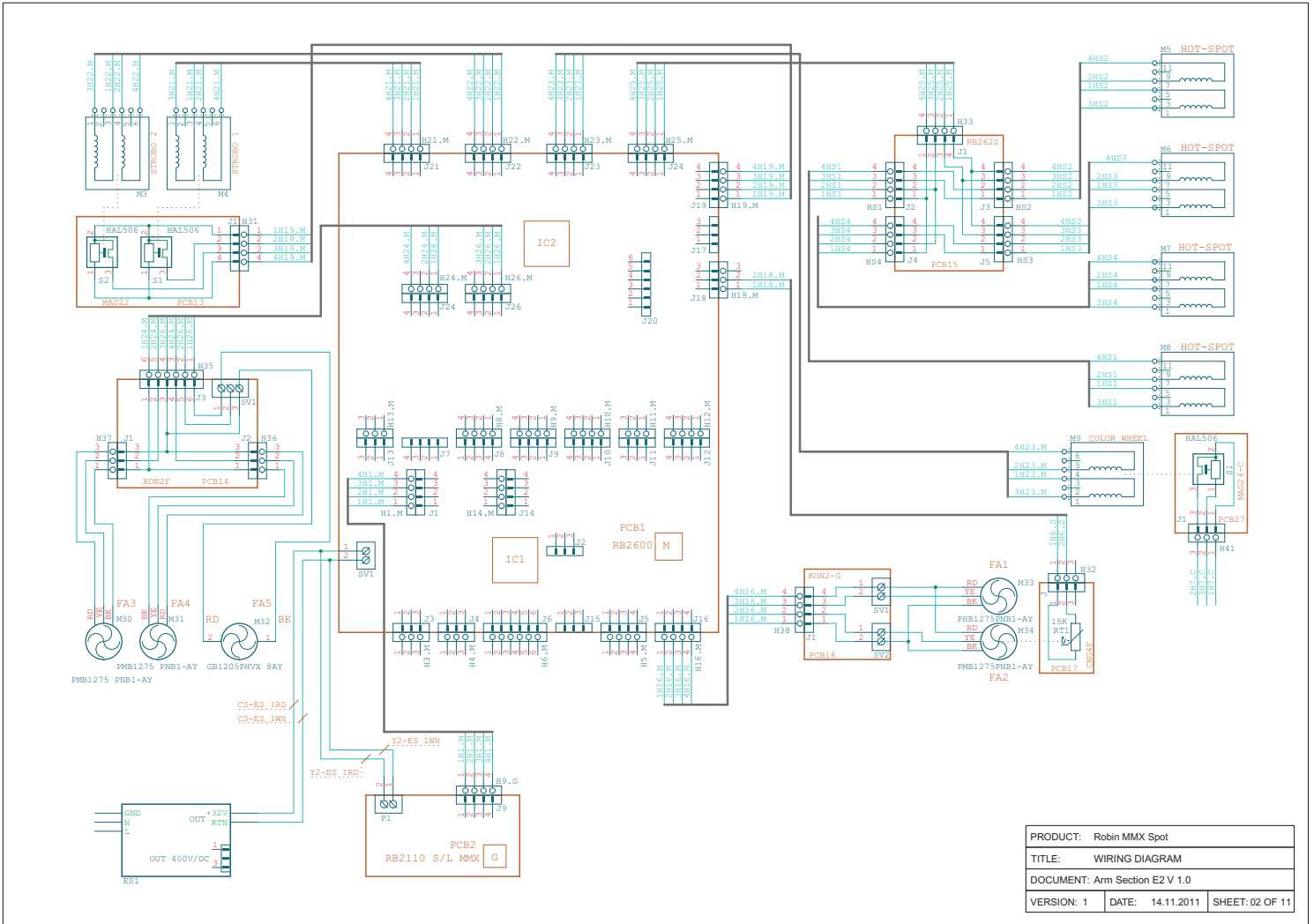
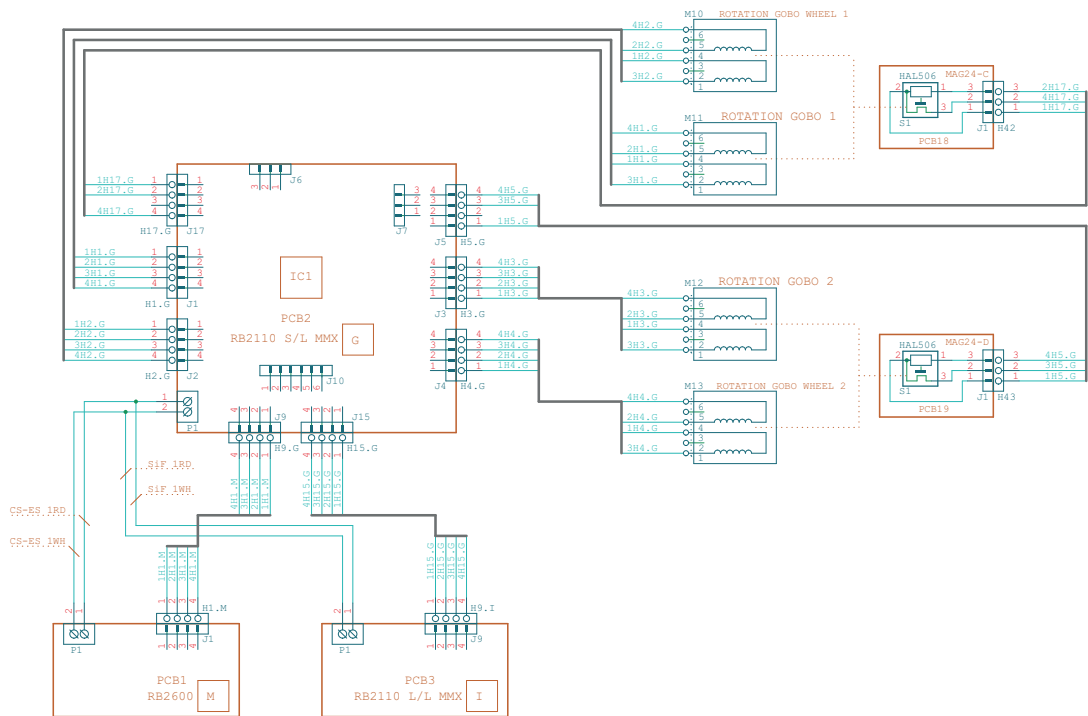


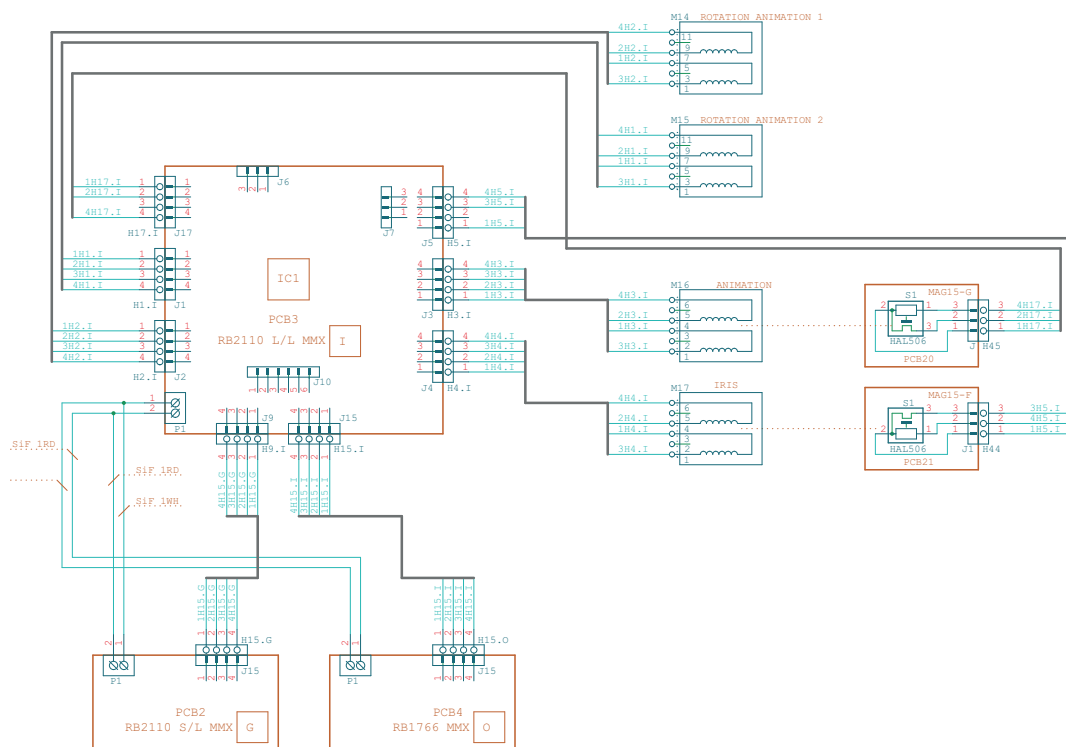
PRODUCT:	Roblin MMX Spot		
TITLE:	WIRING DIAGRAM		
DOCUMENT:	Basic Section E1 V 1.0		
VERSION:	1	DATE:	14.11.2011
		SHEET:	01 OF 11



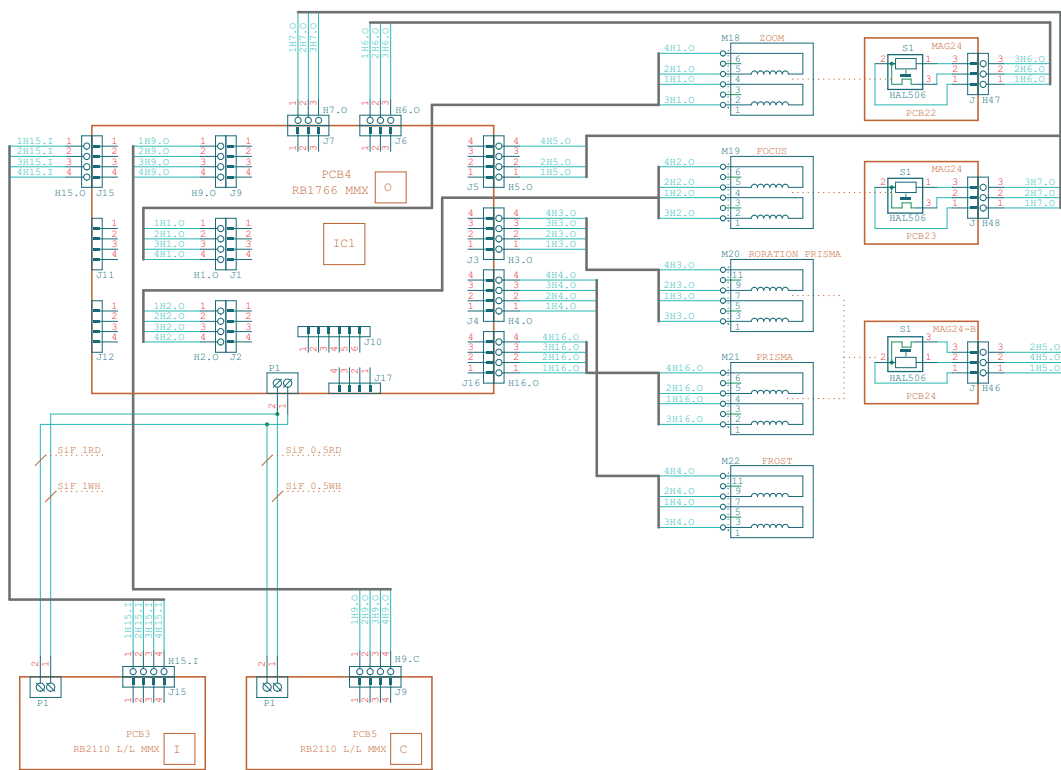
PRODUCT:	Robin MMX Spot
TITLE:	WIRING DIAGRAM
DOCUMENT:	Arm Section E2 V 1.0
VERSION:	1
DATE:	14.11.2011
SHEET:	02 OF 11



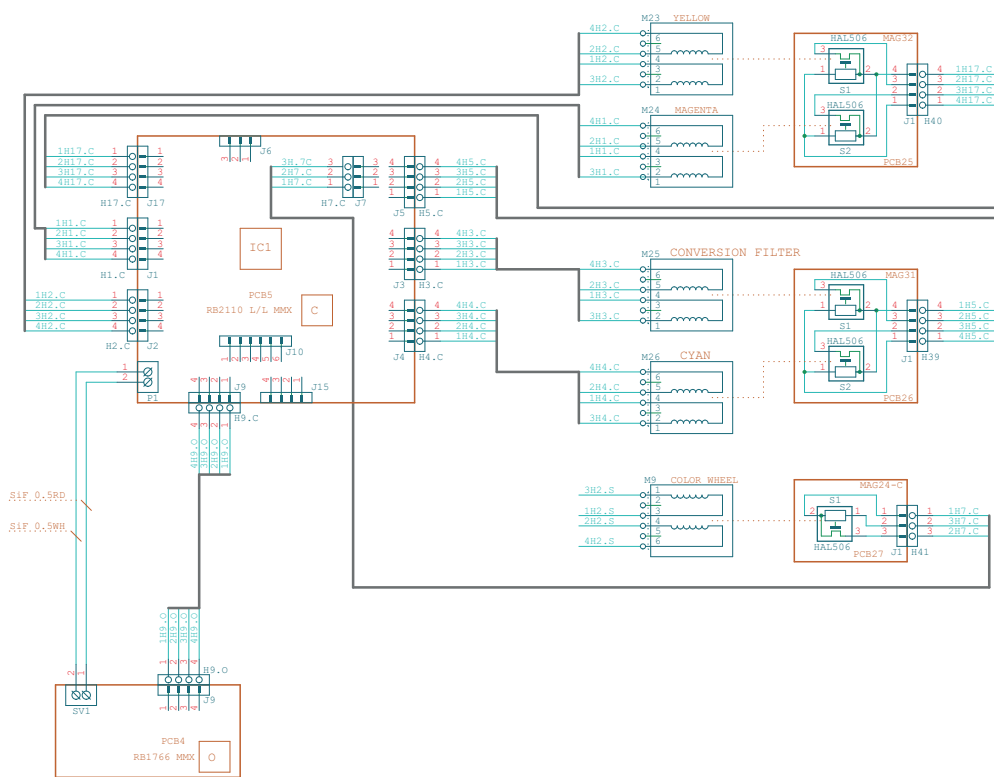
PRODUCT: Robin MMX Spot		
TITLE: WIRING DIAGRAM		
DOCUMENT: Gobo Section E3 V 1.0		
VERSION: 1	DATE: 14.11.2011	SHEET: 03 OF 11



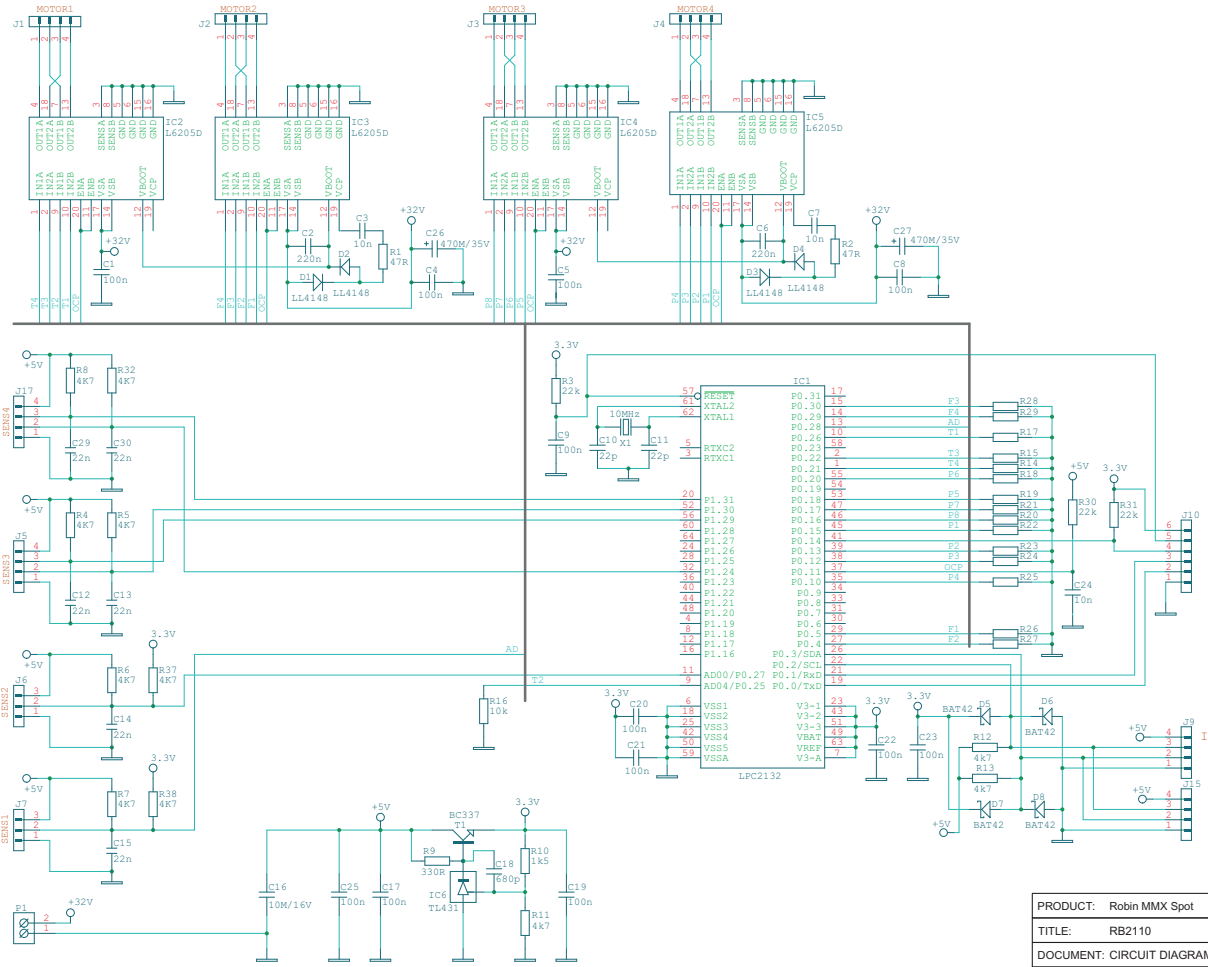
PRODUCT: Robin MMX Spot		
TITLE: WIRING DIAGRAM		
DOCUMENT: Iris Section E4 V 1.0		
VERSION: 1	DATE: 14.11.2011	SHEET: 04 OF 11



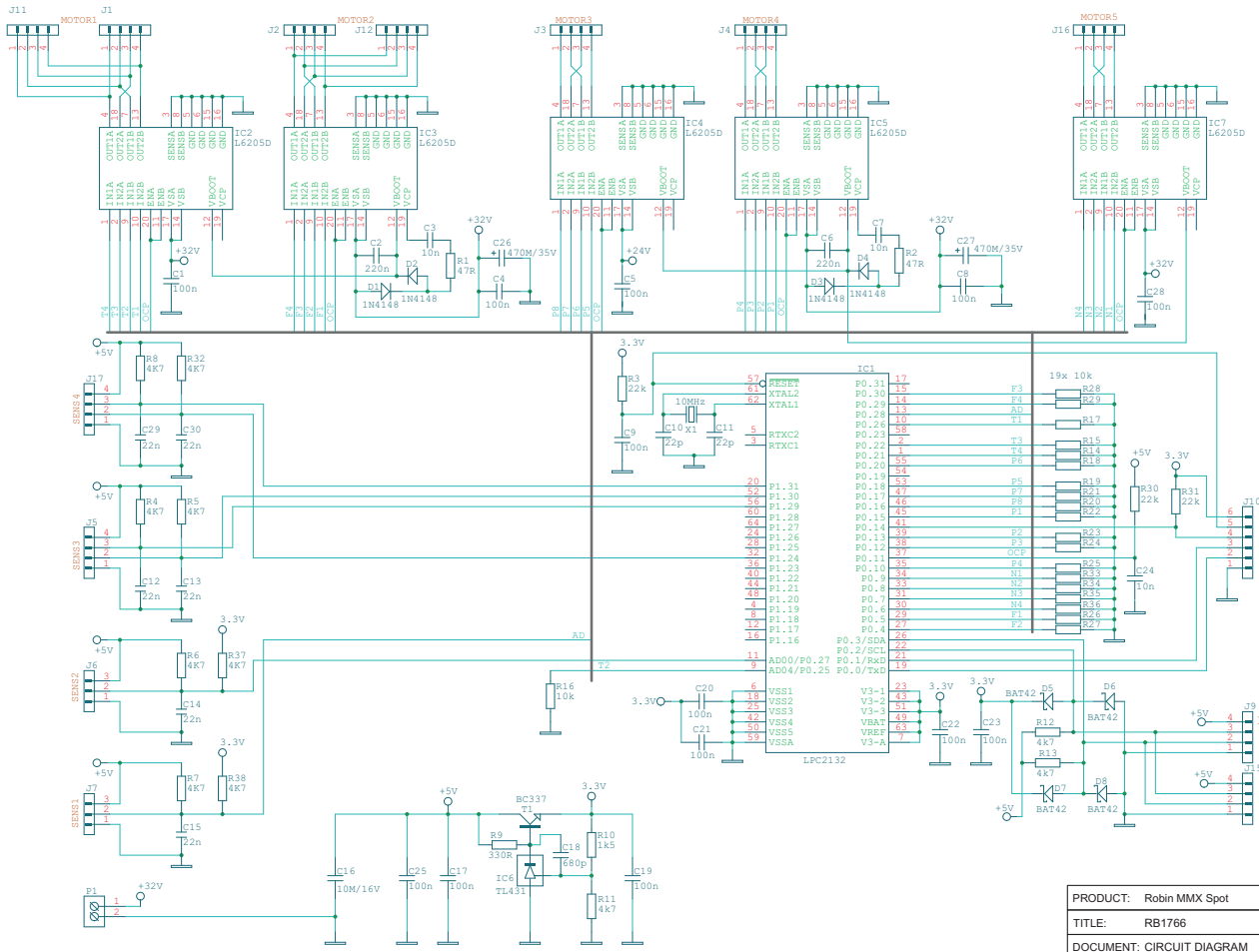
PRODUCT: Robin MMX Spot		
TITLE: WIRING DIAGRAM		
DOCUMENT: Prism Section E5 V 1.0		
VERSION: 1	DATE: 14.11.2011	SHEET: 05 OF 11



PRODUCT: Robin MMX Spot		
TITLE: WIRING DIAGRAM		
DOCUMENT: Color Section E6 V 1.0		
VERSION: 1	DATE: 14.11.2011	SHEET: 06 OF 11

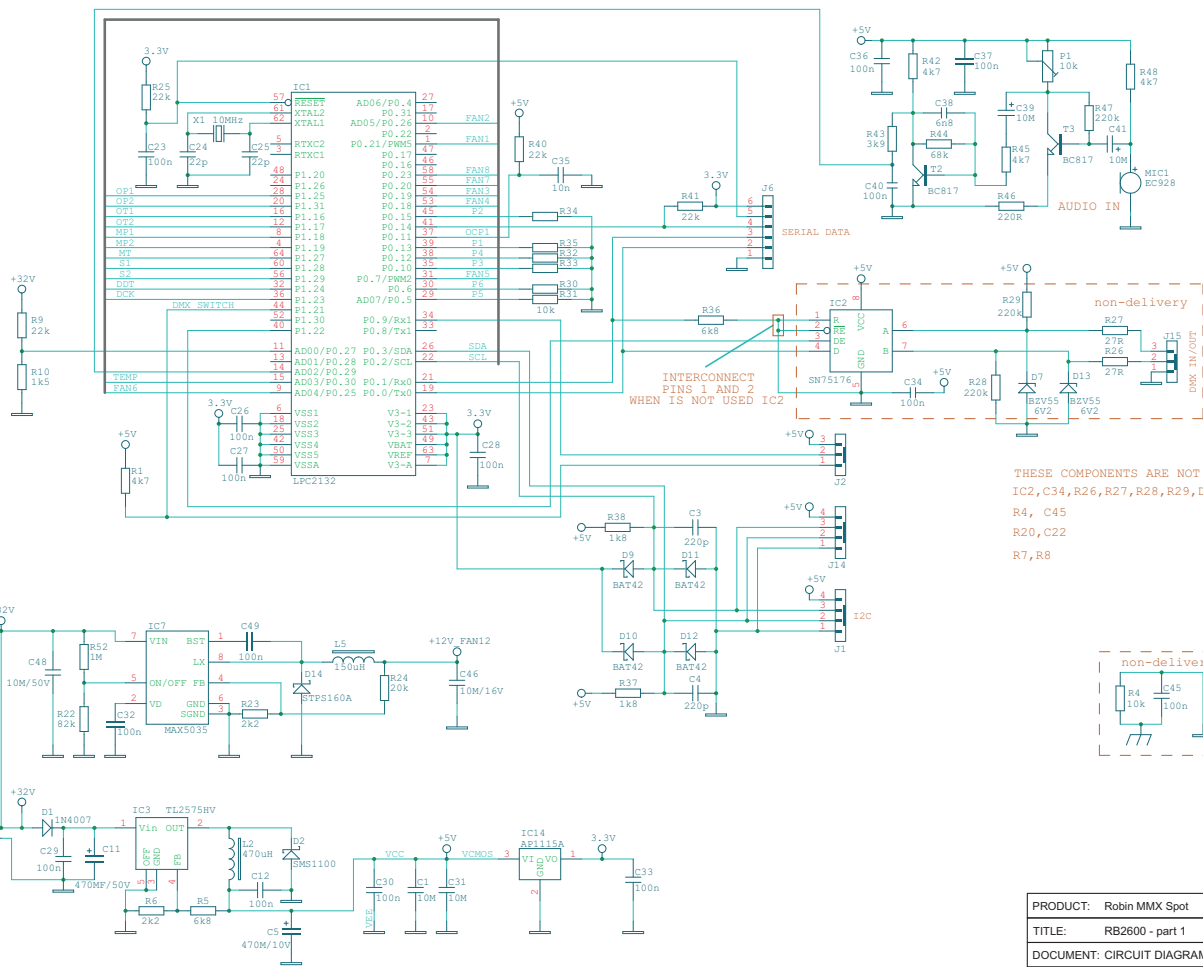


PRODUCT:	Robin MMX Spot		
TITLE:	RB210		
DOCUMENT:	CIRCUIT DIAGRAM		
VERSION:	1	DATE:	14.11.2011
		SHEET:	07 OF 11

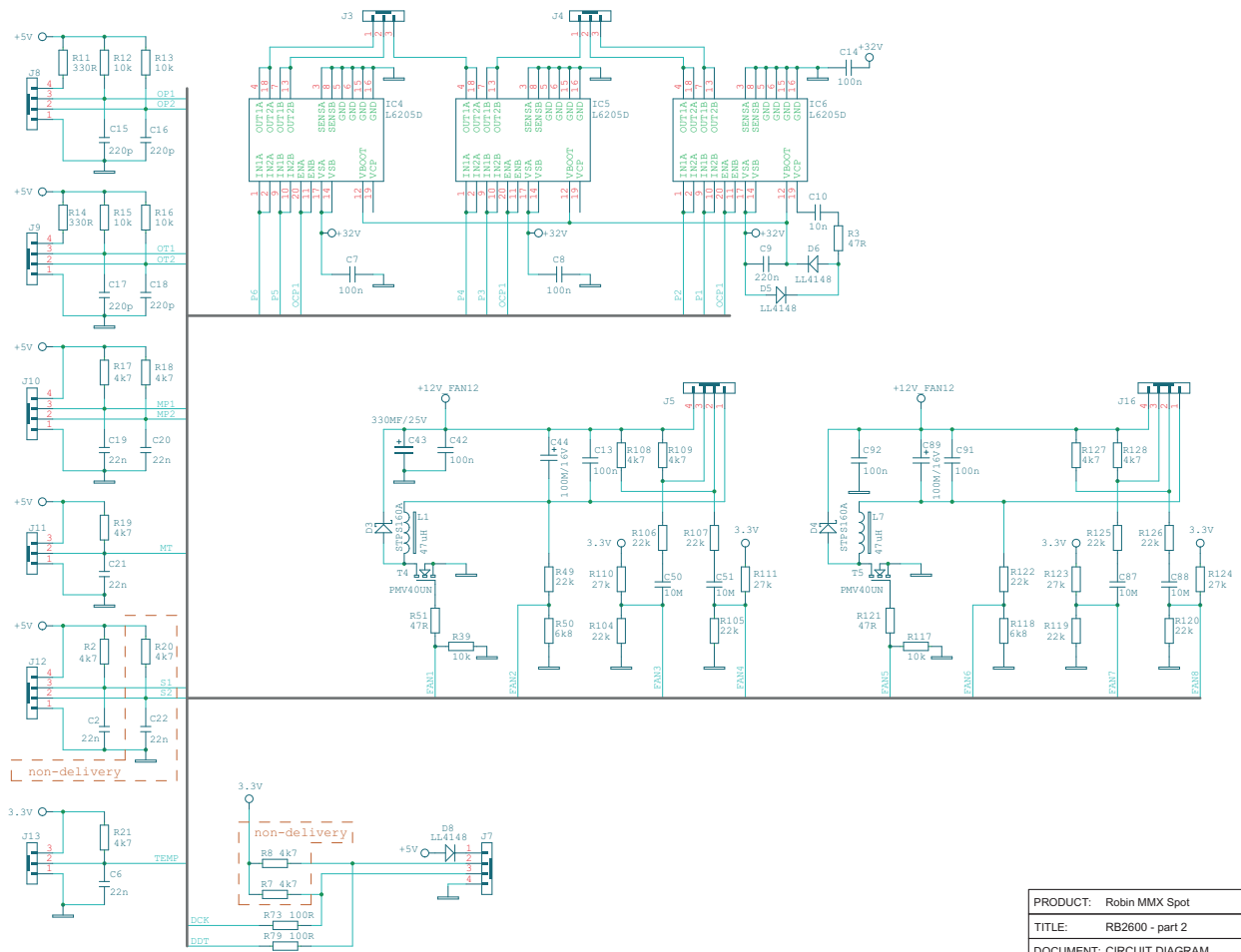


PRODUCT:	RobIn MMX Spot		
TITLE:	RB1786		
DOCUMENT:	CIRCUIT DIAGRAM		
VERSION:	1	DATE:	14.11.2011
		SHEET:	08 OF 11





PRODUCT:	Robin MMX Spot
TITLE:	RB2600 - part 1
DOCUMENT:	CIRCUIT DIAGRAM
VERSION:	1
DATE:	14.11.2011
SHEET:	09 OF 11



PRODUCT:	Robin MMX Spot		
TITLE:	RB2600 - part 2		
DOCUMENT:	CIRCUIT DIAGRAM		
VERSION:	1	DATE:	14.11.2011
		SHEET:	10 OF 11

